

Magnescale

SPEED × PRECISION

Magnescale

SPEED × PRECISION



Tough Sensor

High Precision × High Operability = Tough Sensor

Magnescale Co., Ltd.

Shinagawa Intercity Tower A-18F, 2-15-1, Konan, Minato-ku, Tokyo 108-6018, JAPAN

Headquarters : 45 Suzukawa, Isehara-shi, Kanagawa 259-1146, JAPAN

Tokyo Office : Shinagawa Intercity Tower A-18F, 2-15-1, Konan, Minato-ku, Tokyo 108-6018, JAPAN

Nagoya Office : 2-35-16, Meieki, Nakamura-ku, Nagoya Aichi, 450-0002, JAPAN

Osaka Office : 2-14-6, Nishi-Nakajima, Yodogawa-ku, Osaka 532-0011, JAPAN

International Sales Department : 45 Suzukawa, Isehara-shi, Kanagawa 259-1146, JAPAN

Magnescale Americas Inc. : 5740 Warland Drive, Cypress, CA 90630, USA

Magnescale Europe GmbH : Antoniusstrasse 14, 73249 Wernau, Germany

TEL.+81(0)463-92-1011 FAX.+81(0)463-92-1012

TEL.+81(0)3-5460-3574 FAX.+81(0)3-5460-9614

TEL.+81(0)52-587-1823 FAX.+81(0)52-587-1848

TEL.+81(0)6-6305-3101 FAX.+81(0)6-6304-6586

TEL.+81(0)463-92-7971 FAX.+81(0)463-92-7978

TEL.+1(562)594-5060 FAX.+1(562)594-5061

TEL.+49(0) 7153 934 291 FAX.+49(0) 7153 934 299

<http://www.magnescale.com>

The contents of this literature are as of Apr. 2013

This catalog is printed with soy ink.

MGS-TS-1304-EN-C

Magnescale Co., Ltd.

Precision Judgment Makes a Difference

Digital Tolerance Indicator
MF10 Series



Tough Sensor



Digital Gauge
DF805S/DF812S Series

Digital Gauge DF805S/DF812S Series

[Long life]

High durability capable of withstanding up to 60 million strokes.

[Impact resistance]

Use of metal materials realizes impact resistance of 1,000 m/s².

[High precision]

High precision measurement with 0.1μm maximum resolution

Digital Tolerance Indicator MF10 Series

[Operability]

Simple settings make operability easy.

[Ultra compact]

DIN rail mounting saves spaces even when using multiple channels

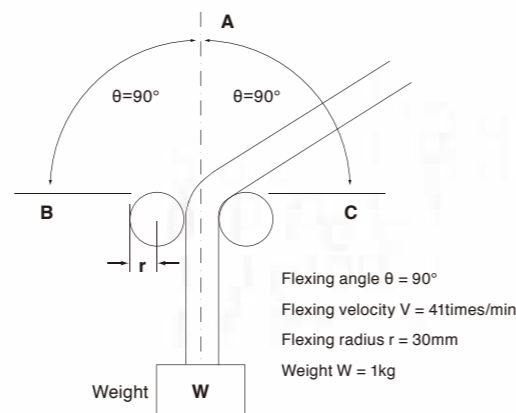
[Versatile]

Multi-limit switch
In addition to Go/NoGo judgment, the digital tolerance indicator can also be used as a stepless limit switch within the measurement range.

Provides High Rigidity, an Ultra-Compact Size, and High Precision

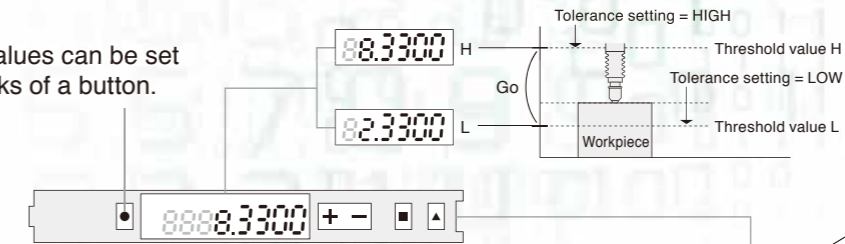
High-resolution 0.1 μm , High-precision 1 μm

- **Magnescale reliable ball spline structure**
Achieved numbers of strokes: 60 million
- **Magnescale magnetic scale technology**
Resistant to the effects of condensation
- **Built-in reference point**
Enables position reproduction
- **Includes a flex-resistant cable**
Approximately 10 million flex cycles
- **Flange type**
Easy mounting
- **Slim-type $\varnothing 8$ mm body**
- **IP66**_[straight body models], **IP67**_[right angle models with hose elbow]

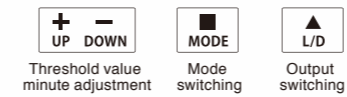


Quick and Easy Operation

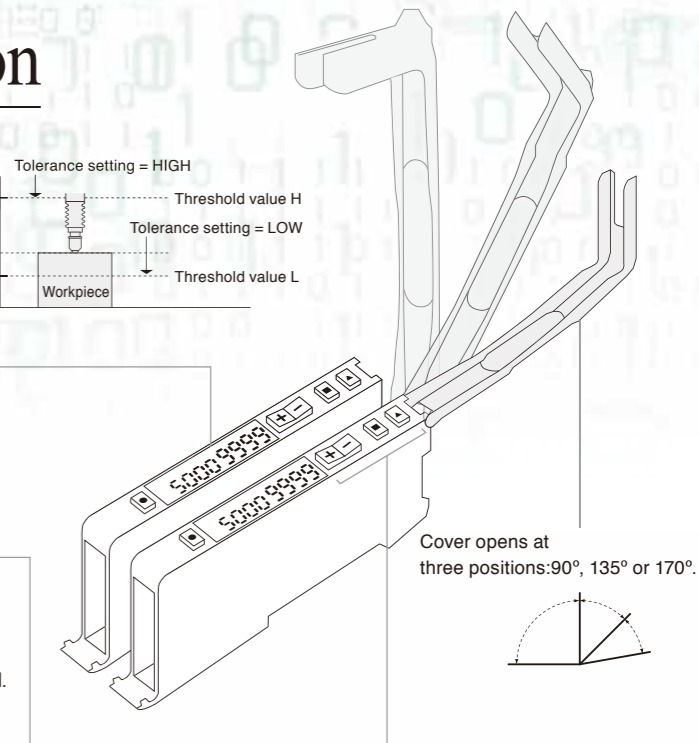
Threshold values can be set with two clicks of a button.



Buttons are easy to remember and operate



- Various mode displays (preset, tolerance setting, Go/NoGo indication, output inversion function)
- Two types of tolerance settings and four different setting methods can be selected.
- A preset function enables setting of arbitrary reference points.



- **Ultra-compact size just 10 mm thick**



- **Highly visible white LED**



The digital display improves for Easy-to-read

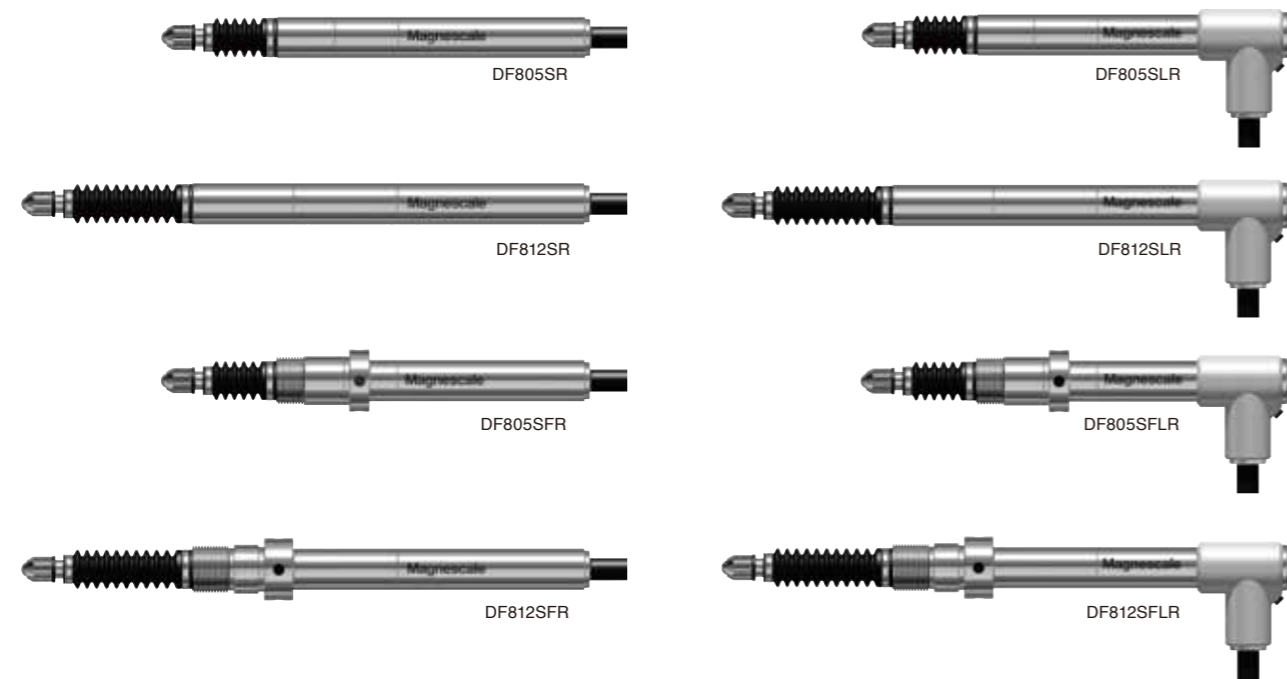
Digital Gauge DF805S/DF812S Series



Digital Tolerance Indicator MF10 Series



Digital Gauge
DF805S/DF812S Series

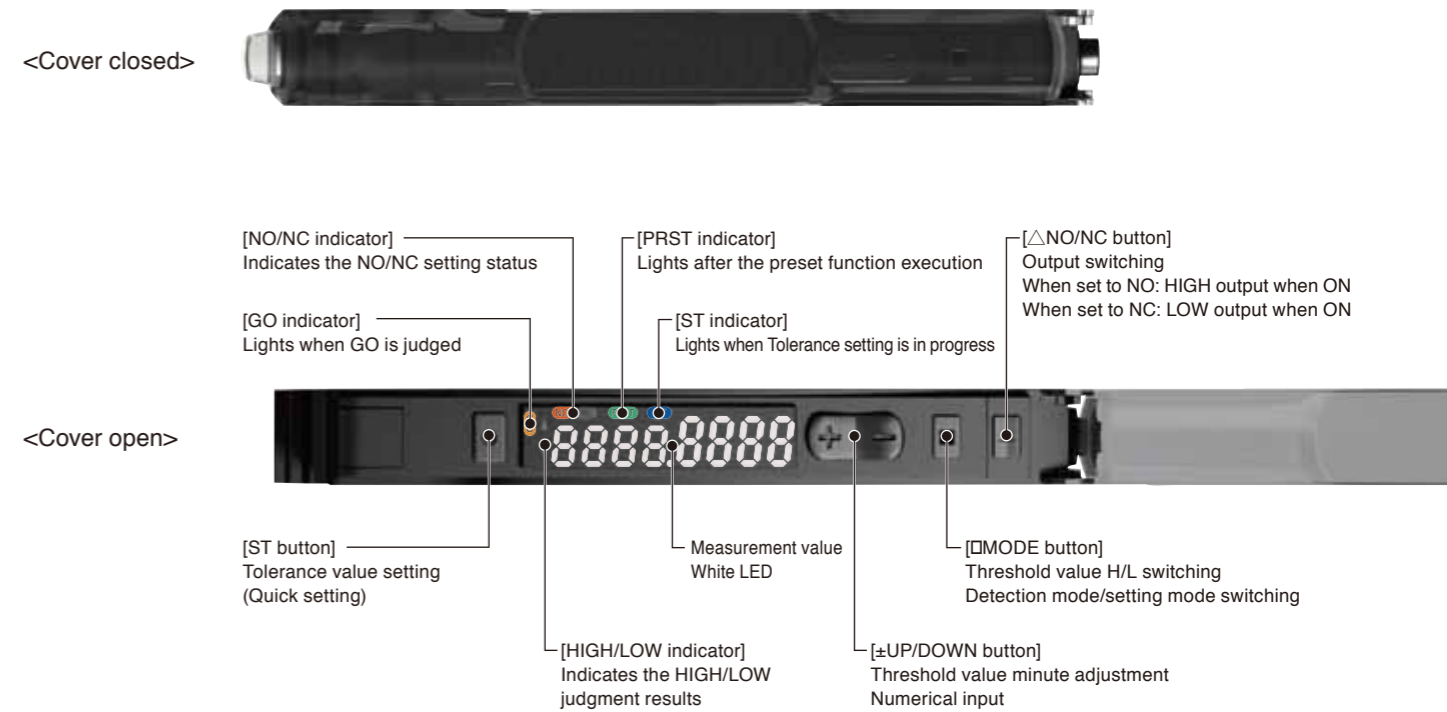


DF805S□□R
DF812S□□R

No letters: Straight
L: Right angle
F: Flange
FL: Flange & Right angle
S: Ball spline

05: measurement range 5 mm
12: measurement range 12 mm

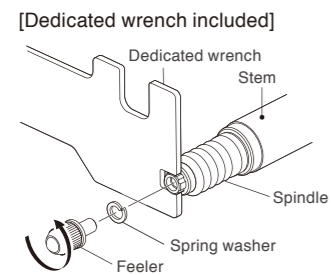
Digital Tolerance Indicator
MF10 Series



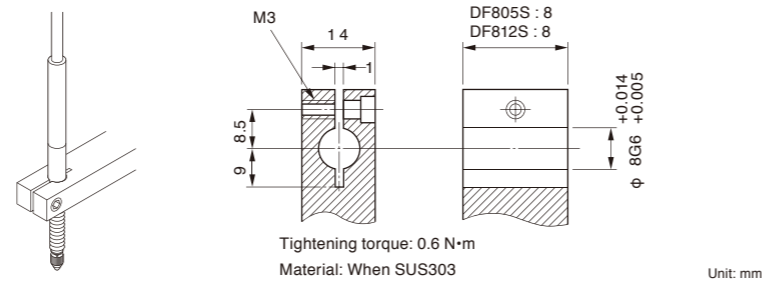
MF10-P1 Current sink (NPN)
MF10-P2 Current source (PNP)

DF800S mounting method and features <standard ø8 mounting>

Attaching/removing feeler

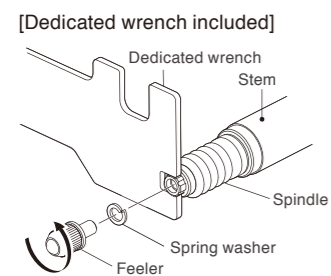


Recommended mounting holder dimensions

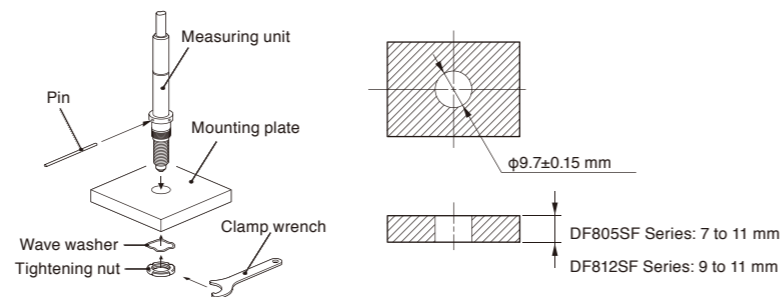


DF800SF mounting method and features <Easy mounting possible without applying excessive force to the bearing>

Attaching/removing feeler

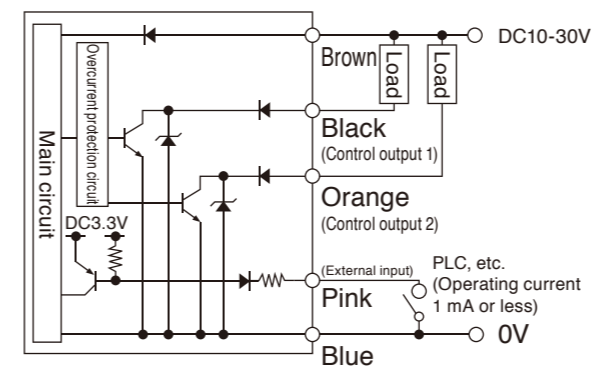


Recommended mounting holder dimensions

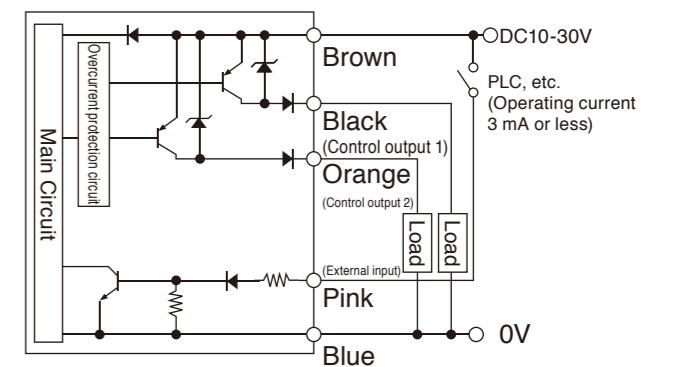


MF10 series Input/Output Circuit Diagram

MF10-P1 (NPN type)



MF10-P2 (PNP type)



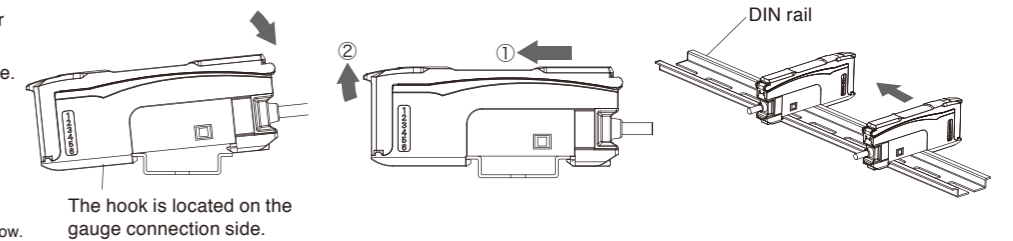
■ Mounting on DIN rail

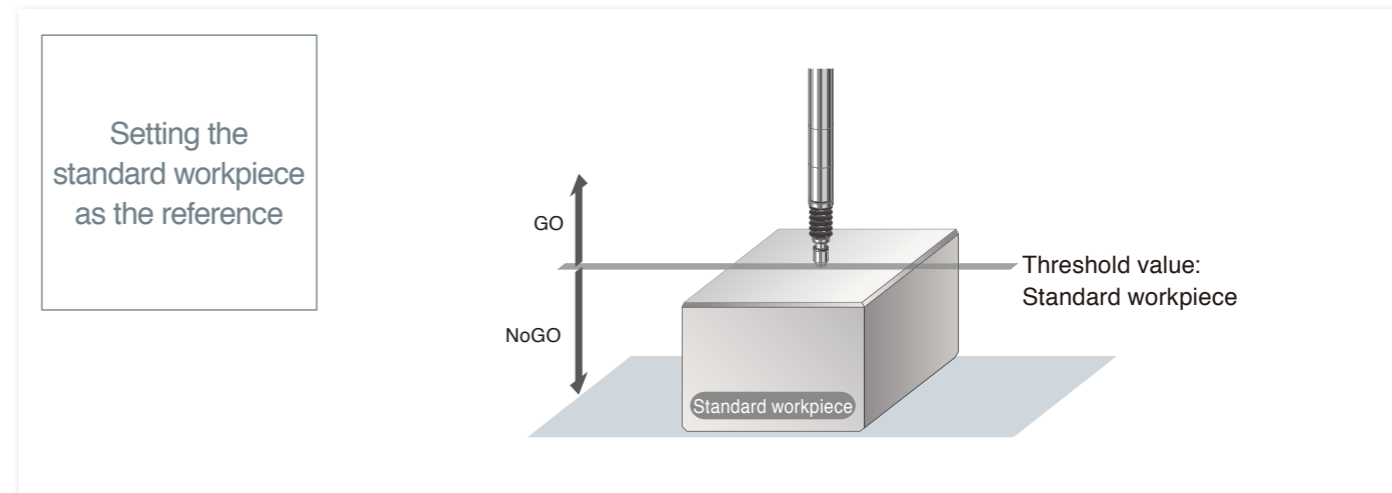
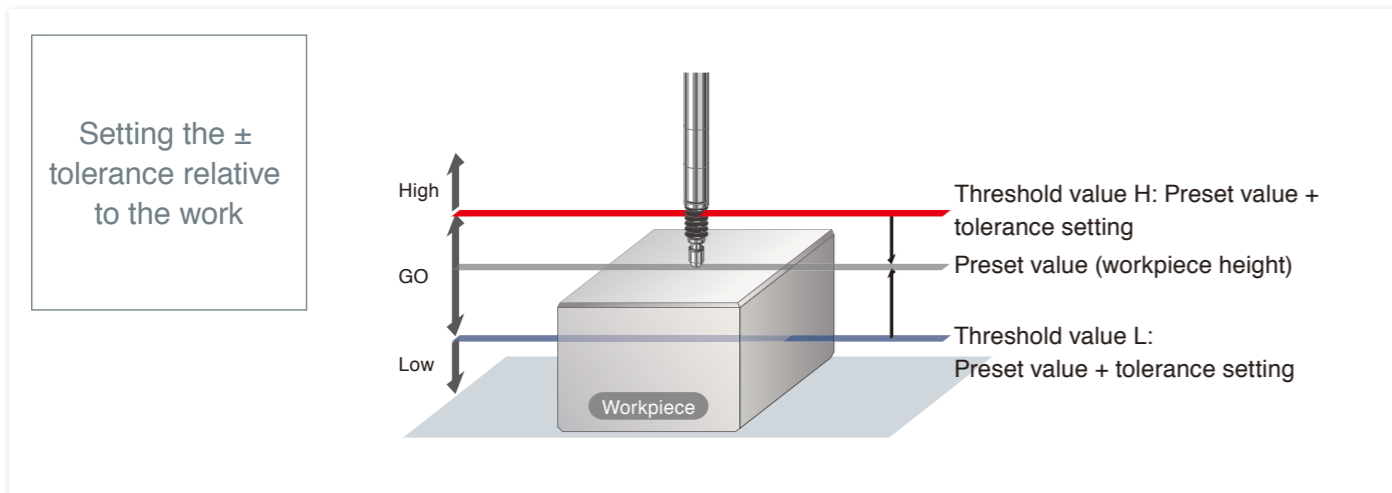
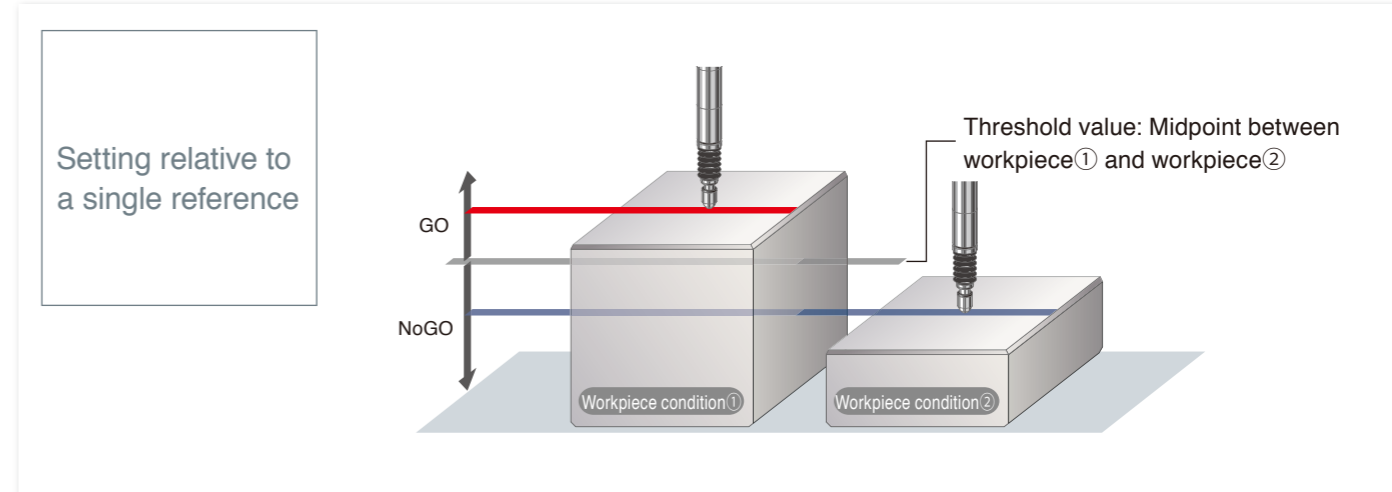
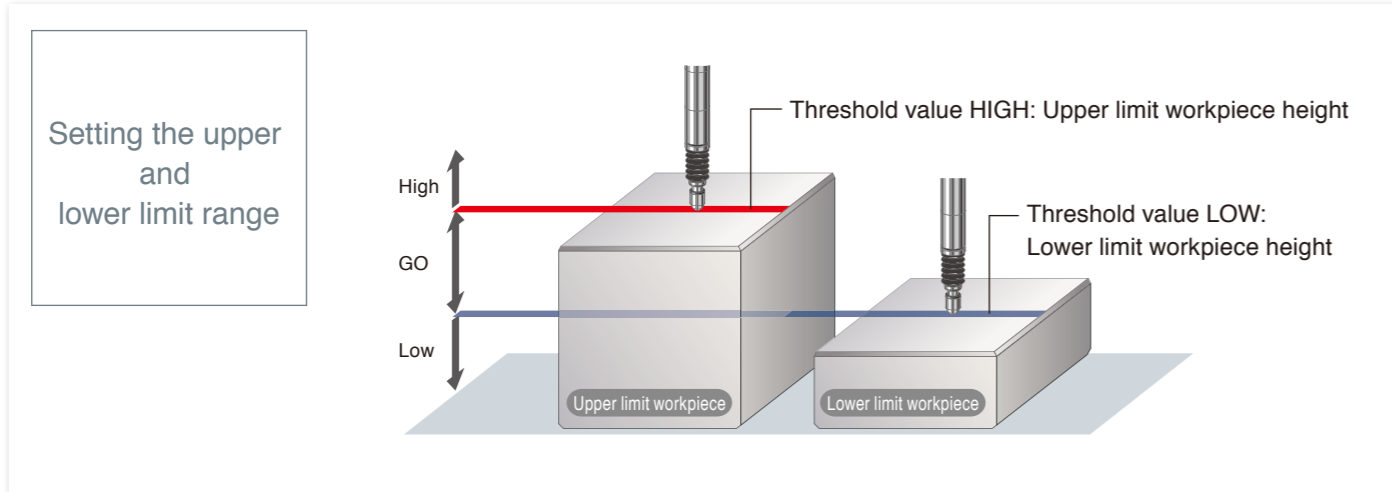
- Let the hook on the underside of the indicator catch the DIN rail track.
- Push in the unit until the hook clicks into place.

■ Removing from DIN rail

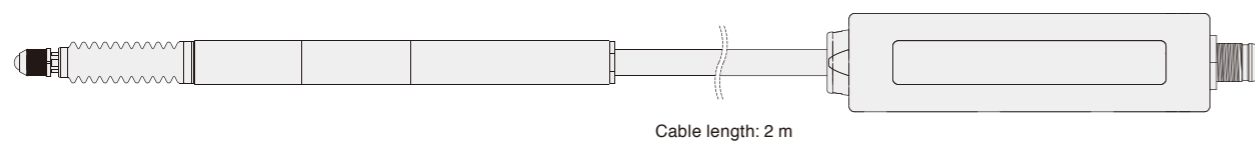
- Push the unit in the direction of arrow 1.
- Lift the unit in the direction of arrow 2 while performing step ①.

*Up to 30 digital tolerance indicators can be installed in a row.



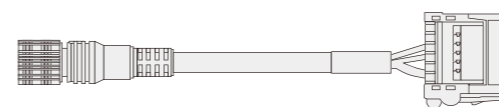


System diagram



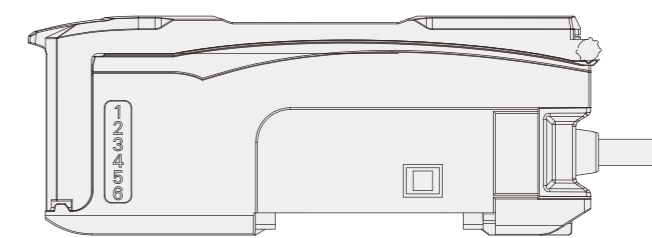
1 Digital gauge

Total 8 models



2 Cable

CE34-005 CE34-02
CE34-05 CE34-10
CE34-15 CE34-20



3 Digital Tolerance indicator

Current sink (NPN)
Current source (PNP)

