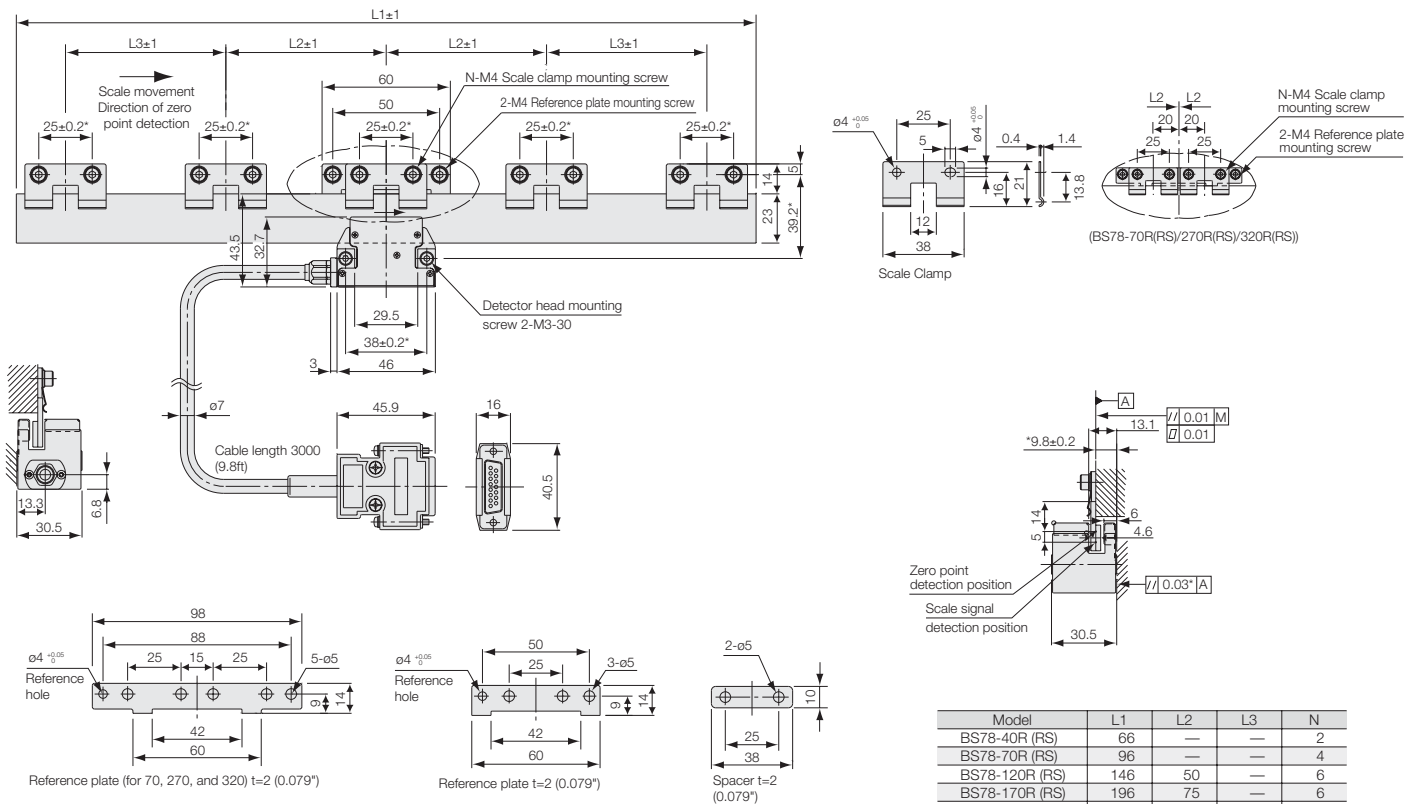


External Dimensions

● BS78-xxxR(RS)(measuring length:40/120/170/220/370/420)



Note 1: The asterisked items indicate the machining dimensions on the mounting surface. Note 2: The surface roughness of the scale mounting surface is $R_{max} = 6.3 S (250\mu\text{inch})$.

Note 3: The surface roughness of the detector head mounting surface is $R_{max} = 12.5 S (500\mu\text{inch})$. Note 4: "M" refers to the machine guide.

Note 5: Direction of zero point detection: standard (scale movement direction \rightarrow with the head stationary)

Unit: mm