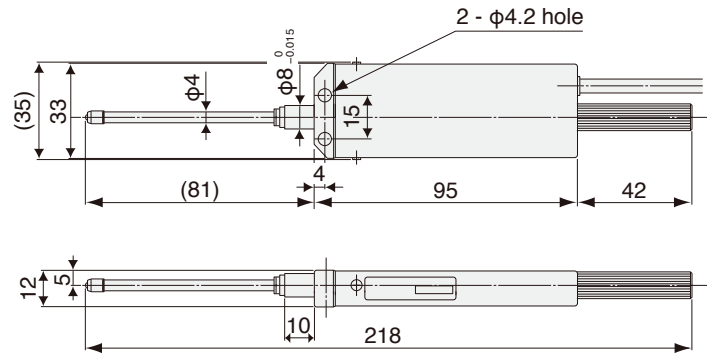
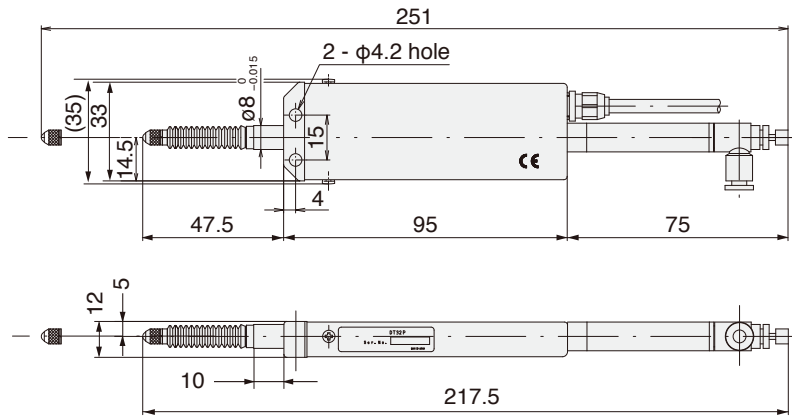


DT32N

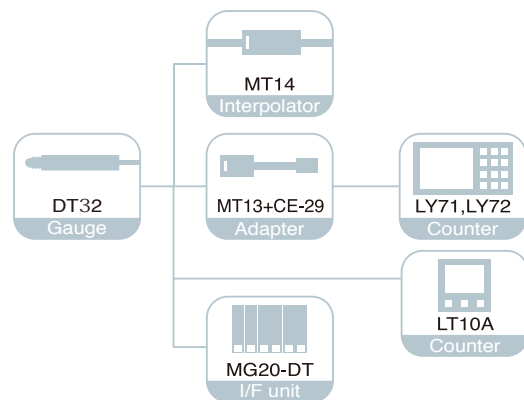


* Upon installation, clamp the stem.

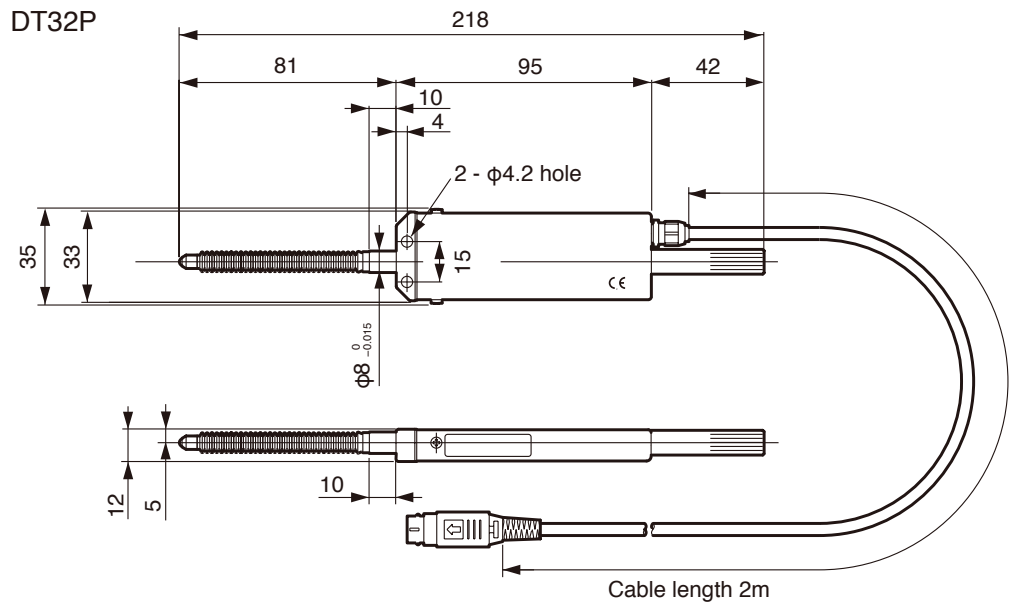
DT32PV



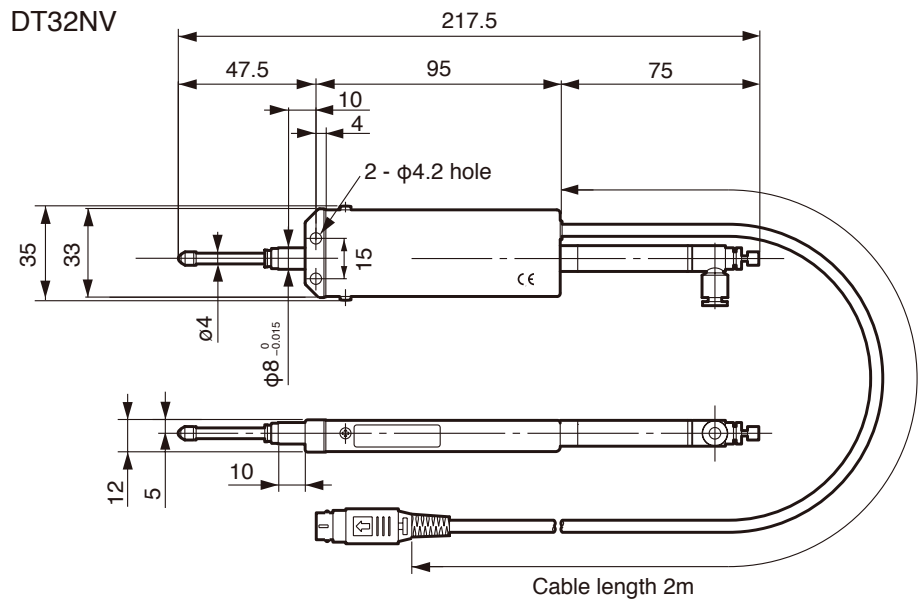
* Upon installation, clamp the stem.



DT32P



DT32NV



Unit: mm